

ANSHI KIOSK LIFT

Adjustable Electric Flip Mobile Stand
ASEST-02

TURN OPTIONS
INTO STANDARD

3 Sizes
Available
55/65/75

×

Height
Adjustment

×

Movable

×

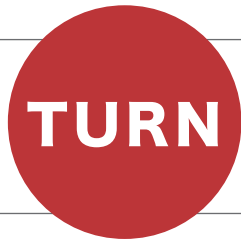
90 Degrees
Tilt

Interact in a Different Way

The Kiosk Lift moves to the ideal position in a single movement. Users can adjust the height and angle of the ANSHI Touch. With the tilt function it is possible to use the ANSHI Touch as a touch table. This kiosk also has safety wheels and an automatic braking system, designed to be placed anywhere.

Anshi Kiosk Lift makes the Touch Experience even more Innovative and accessible to everyone at the same time.

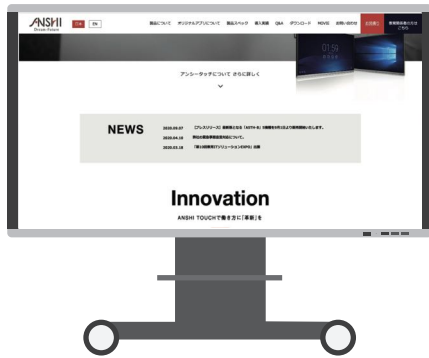




Your ANSHI TOUCH into a Digital Information Kiosk with Touch Function

01

Info What's New

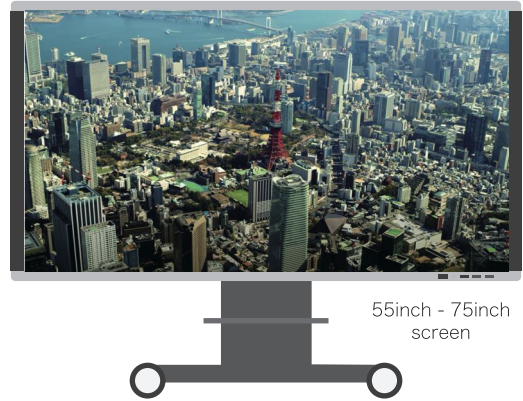


980.5 ~ 1540.5mm

Announce your coming events or show important information to your visitors.

02

Entertainment & Distraction



55inch - 75inch screen

Play dedicated multimedia contents or from the internet to entertain your visitors.

03

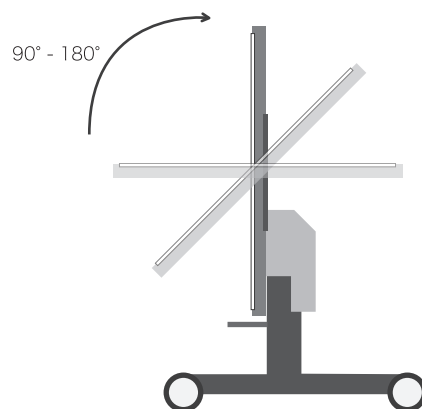
Products Presentation



Let your customers discover your latest products line in your e-catalog before meeting.

04

Collaboration Anywhere



Turn any open space or waiting area into a meeting room.

